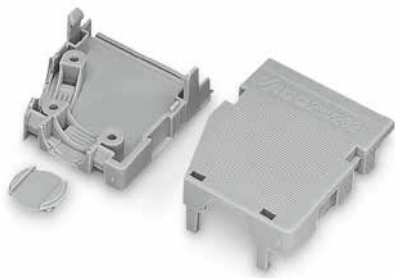


Snap-On Type Strain Relief Housing; Consisting of Strain Relief Support and Housing MCS MIDI



5 mm pin spacing; gray		
Pole No.	Item No.	PU
2	232-602	25
3	232-603	25
4	232-604	25
5	232-605	25
6	232-606	25
7	232-607	25
8	232-608	25
9	232-609	25
10	232-610	25
12	232-612	25

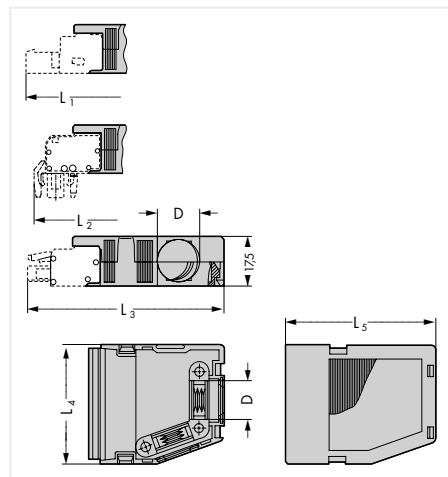
5.08 mm pin spacing; orange		
Pole No.	Item No.	PU
2	232-632	25
3	232-633	25
4	232-634	25
5	232-635	25
6	232-636	25
7	232-637	25
8	232-638	25
9	232-639	25
10	232-640	25
12	232-642	25
16	232-646	25

Cable clamp; for strain relief		
Pole No.	Item No.	PU
4 ... 6	209-177	25
7 ... 16	209-174	25

Mounting screws; for cable clamp		
Pole No.	Item No.	PU
4 ... 6	209-176	50
7 ... 16	209-173	50

- 2- to 3-pole; only suitable for cable ties; 1 cable outlet (rear side); max. 3.6 mm cable tie width
- 4- to 6-pole; suitable for cable clamp; 1 x cable outlet (rear side)
- 7- to 8-pole; suitable for cable clamp; 1 x cable outlet (rear side) and 1 x cable outlet (side); 1 cover (included)
- 9- to 16-pole; suitable for cable clamp; 1 x cable outlet (rear side) and 2 x cable outlets (side); 2 covers (included)

Cable ties and binding tools are not offered by WAGO.



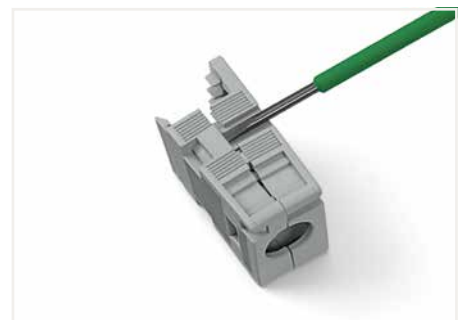
Strain relief housing dimensions (in mm):							
Pole No.	L ₄ (5 mm)	L ₄ (5,08 mm)	L ₁	L ₂	L ₃	L ₅	Cable Ø (max.)
2	13	13	59	55.5	58	41.5	6
3	18	18	59	55.5	58	41.5	7.5
4	23	23	59	55.5	58	41.5	9.5
5	28	28	59	55.5	58	41.5	9.5
6	33	33	59	55.5	58	41.5	9.5
7	38	38	71.5	68	70.5	54	14
8	43	43	71.5	68	70.5	54	14
9	48	48.7	71.5	68	70.5	54	14
10	53	53.8	71.5	68	70.5	54	14
12	63	64	71.5	68	70.5	54	14
16	85	85	71.5	68	70.5	54	14



Snapping a cover into the unused cable outlet.



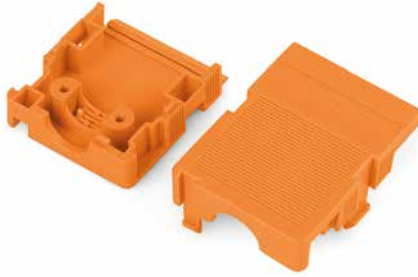
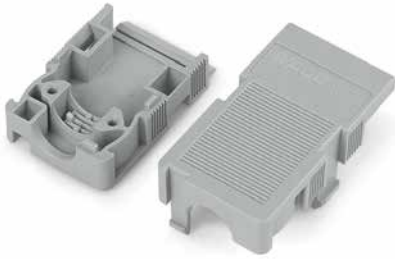
Snapping on a strain relief housing, demonstrated with a female connector with locking levers. Cable exits laterally – strain relief by cable tie (up to a width of 4 mm).



Disassembling a strain relief housing is only possible using an operating tool (e.g., 210-719).

PU = Packaging Unit; SPU = Subpackaging Unit; Dimensions in mm

Snap-On Type Strain Relief Housing; Consisting of Strain Relief Support and Housing MCS MIDI



7.5 mm pin spacing; light gray		
Pole No.	Item No.	PU
2	232-662	25
3	232-663	25
4	232-664	25
5	232-665	25
7	232-667	25
10	232-670	25

7.62 mm pin spacing; orange		
Pole No.	Item No.	PU
2	232-682	25
3	232-683	25
4	232-684	25
5	232-685	25
7	232-687	25

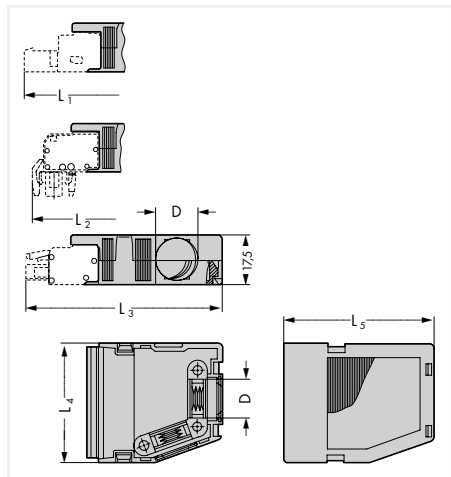
Cable clamp; for strain relief		
Pole No.	Item No.	PU
4 ... 6	209-177	25
7 ... 16	209-174	25



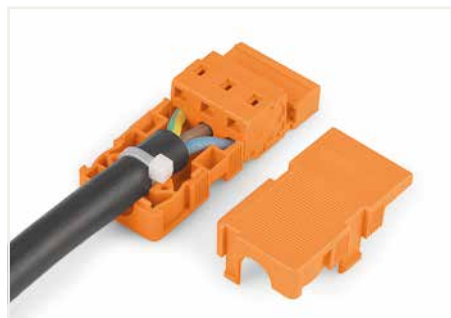
Mounting screws; for cable clamp		
Pole No.	Item No.	PU
4 ... 6	209-176	50
7 ... 16	209-173	50

- 2-pole; only suitable for cable ties; 1 cable outlet (rear side); max. cable tie width 3.6 mm;
- 3- to 4-pole; suitable for cable clamp; 1 x cable outlet (rear side);
- 5-pole; suitable for cable clamp; 1 x cable outlet (rear side) and 1 x cable outlets (side); 1 cover (included);
- 7-pole; suitable for cable clamp; 1 x cable outlet (rear side) and 2 x cable outlets (side); 2 covers (included)

Cable ties and binding tools are not offered by WAGO.



Strain relief housing dimensions (in mm):							
Pole No.	L ₄ (5 mm)	L ₄ (5,08 mm)	L ₁	L ₂	L ₃	L ₅	Cable Ø (max.)
2	15.5	15.5	59	55.5	58	41.5	6
3	23	23	59	55.5	58	41.5	9.5
4	30.5	30.5	59	55.5	58	41.5	9.5
5	38	38	71.5	68	70.5	54	14
7	53	53.8	71.5	68	70.5	54	14



3-pole female connector with strain relief housing



4-pole male connector with strain relief housing



Gray strain relief plates are used for light gray 721, 722 and 723 Series Male and Female Connectors equipped with CAGE CLAMP® connection.

PU = Packaging Unit; SPU = Subpackaging Unit; Dimensions in mm